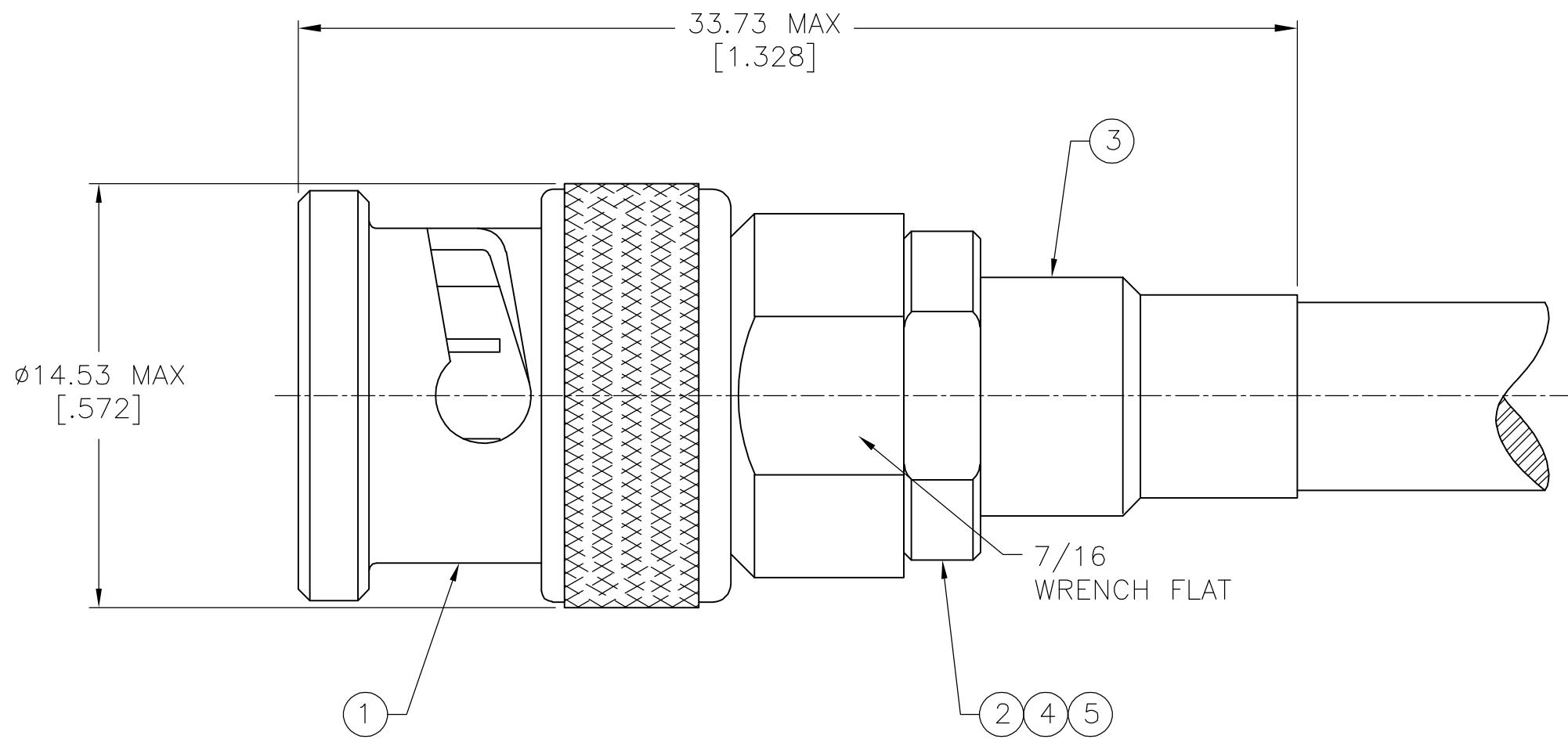


THIS DRAWING IS UNPUBLISHED. RELEASED FOR PUBLICATION  
 © COPYRIGHT - BY TYCO ELECTRONICS CORPORATION. ALL RIGHTS RESERVED.

LOC	DIST	REVISIONS					
AJ	00	P	LTR	DESCRIPTION	DATE	DWN	APVD
		G1		REVISED PER ECO-06-018704	06SEP2006	MC	JH



- NOTES:
1. USE CRIMPING TOOL 69667.
  2. SEE INSTRUCTION SHEET 408-2055.
  3. PARTS PACKAGED SEPARATELY.

	ROLM 49D2401 TWINAX	332214	332222-1	9-332224-0	1-332221-5	5-330949-0	332225-6
	RG 108/U & 108A/U	332214	332222-1	9-332224-0	1-332221-4	5-330949-0	332225-5
OBSOLETE	TROMPETER TWC-124-2	332214	332222	1-332224-0	1-332221-3	2-330949-2	332225-3
	RG 108/U & 108A/U	332214	332222	1-332224-0	332221	2-330949-2	332225
	FOR USE WITH CABLE	⑤ SEAL QTY=1	④ DIELECTRIC QTY=1	③ FERRULE QTY=1	② CRIMP END QTY=1	① PLUG ASSY QTY=1	PART #

THIS DRAWING IS A CONTROLLED DOCUMENT.

DWN	G. VIERA	10JUL03		Tyco Electronics Corporation		
CHK	J. HAVENER	10JUL03		Harrisburg, PA 17105-3608		
APVD	J. HAVENER	10JUL03		NAME		
PRODUCT SPEC			PLUG, TWIN BNC			
APPLICATION SPEC			RESTRICTED TO			
MATERIAL		FINISH	SIZE	CAGE CODE	DRAWING NO	RESTRICTED TO
-		-	WEIGHT	A3 00779	C-332225	-
CUSTOMER DRAWING			SCALE	SHEET	OF	REV
			5:1	1	1	G1